

Raxton Earthing Locknuts & Earth Tags

Technical Specification

Earthing Locknuts

Raxton Earthing Locknuts offer an alternative to the standard Earth Tag when terminating a metallic cable gland into a thin wall steel enclosure. The Earthing Locknut design includes a number of cutting teeth formed on one surface of the nut. When tightened, these teeth cut into the enclosure wall, preventing the nut from turning and enabling the gland to be tightened to the nut from the outside with only one tool. This allows all connections of the gland to be made within the enclosure, away from the corrosive or flammable atmosphere and away from possible mechanical damage, and results in a neater appearance. The nut may also be fitted with the plain side facing the enclosure where this is preferred.

TEMPERATURE

The item is classified as a component and therefore metallic products are not given an operating temperature range.

Product Dimensions

Female Thread	Thread Coding	A/F Dims (mm)	Female Thread	Thread Coding	A/F Dims (mm)
M12	0010	14.0	½" NPT	0042	30.0
M16	0011	18.0	¾" NPT	0043	36.0
M20	0012	23.0	1" NPT	0044	42.0
M25	0013	28.0	1¼" NPT	0045	50.0
M32	0014	36.0	1½" NPT	0046	55.0
M40	0015	44.0	2" NPT	0047	70.0
M50	0016	54.0	2½" NPT	0048	80.0
M63	0017	70.0	3" NPT	0049	98.0
M75	0018	92.0	3½" NPT	0050	115.0
M90	0019	108.0	4" NPT	0051	130.0

Earth Tags

Raxton Earth Tags provide a means of connecting a flexible earth bond with the gland, thread Adaptor or thread Reducer in any required position whilst ensuring suitable earth continuity. Available in Brass, Aluminium and Stainless Steel and supplied self-colour as standard, additional plating is available if required.

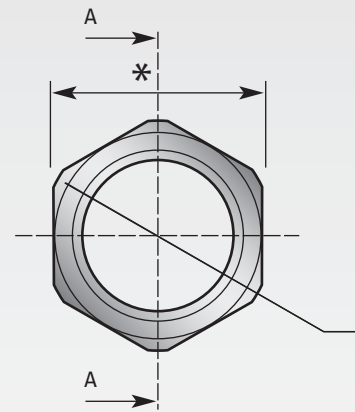
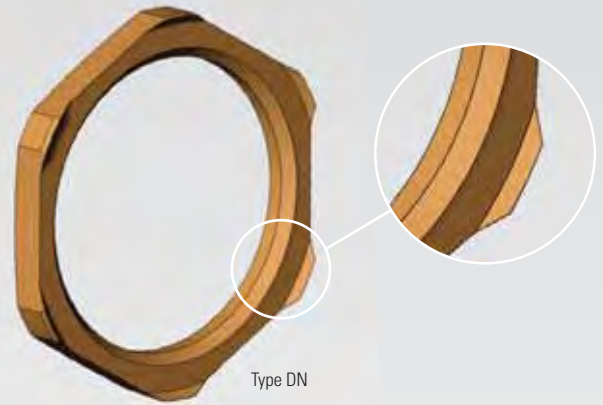
TEMPERATURE

The item is classified as a component and therefore metallic products are not given an operating temperature range.

Product Codes

DIGIT 1+2	Code	DIGIT 3	Code	DIGIT 4 & 5 Male	DIGIT 6 & 7 Female	DIGIT 8		DIGIT 9		DIGIT 10				
Description (Earth Accessories)		Material		Thread Reference		Approval		Special		Plating				
EARTH TAG	DM	BRASS	A	M16	11	½" NPT	42	Industrial	X or Blank	None (standard)	X or blank	None	Blank	
EARTHING LOCKNUT	DN	ALUMINIUM	B	M20	12	¾" NPT	43	For other approvals please see product coding list on page 64		Customer Special	S	Nickel	N	
		STAINLESS STEEL	E	M25	13	1" NPT	44						Zinc	Z
				M32	14	1¼" NPT	45						Chromatised	C
				M40	15	1½" NPT	46						Special	S
				M50	16	2" NPT	47							
				M63	17	2½" NPT	48							
				M75	18	3" NPT	49							
				M90	81	3½" NPT	86							
				M100	82	4" NPT	87							

Other sizes / threads are available on request



PRODUCT CODING EXAMPLE	Earth Tag	Brass	(M)	M20(F)	-	PART NUMBER
	DM	A	00	12	-	= DMA0012